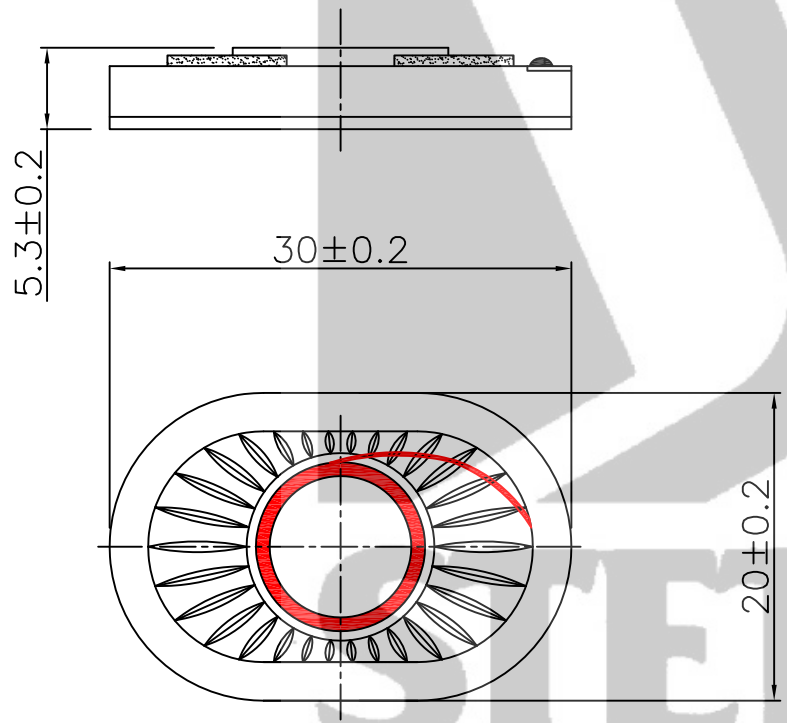
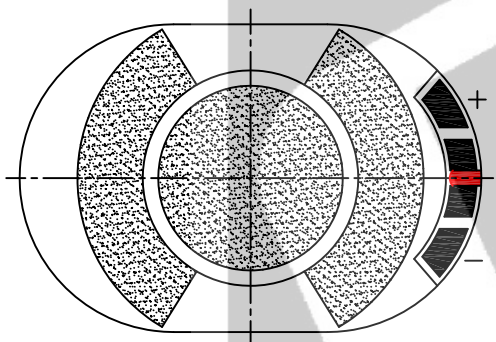
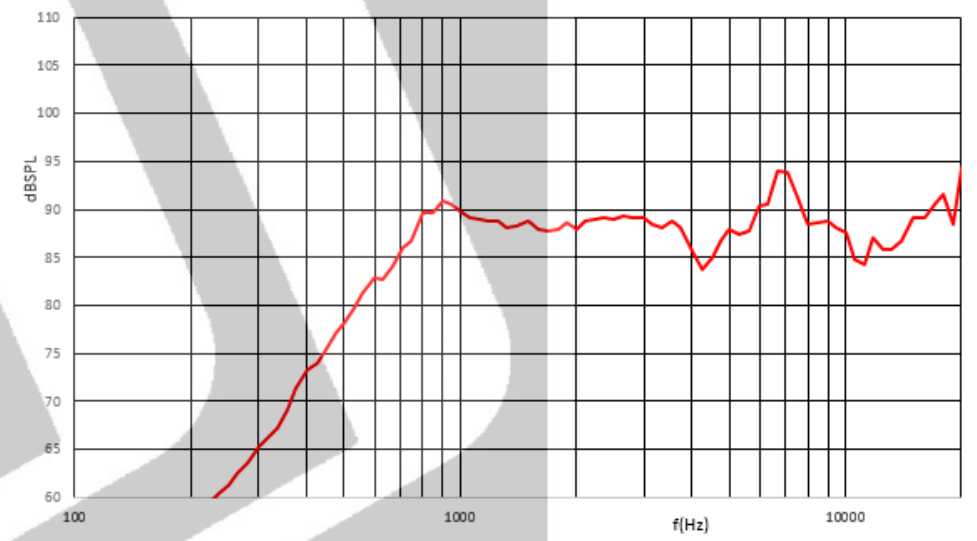


Parameter	Specification
Size	30mm × 20mm × 5.3mm
Impedance	8Ω ± 15%
Input Power / Max Power	1.5 W / 2.0 W
Lowest Resonant Frequency, F ₀	800Hz ± 20%
SPL	91 ± 3 dB (1.5 W / 0.3m)
Effective Frequency Range	F ₀ to 20 kHz
V _{as}	0.010 L
Q _{ts}	3.1



Typical Frequency Response



*Specifications subject to change.

Part No. P3020008NM02AR

Speaker size: 30mmx20mmx5.3mm

Web Site: www.stetron.com

