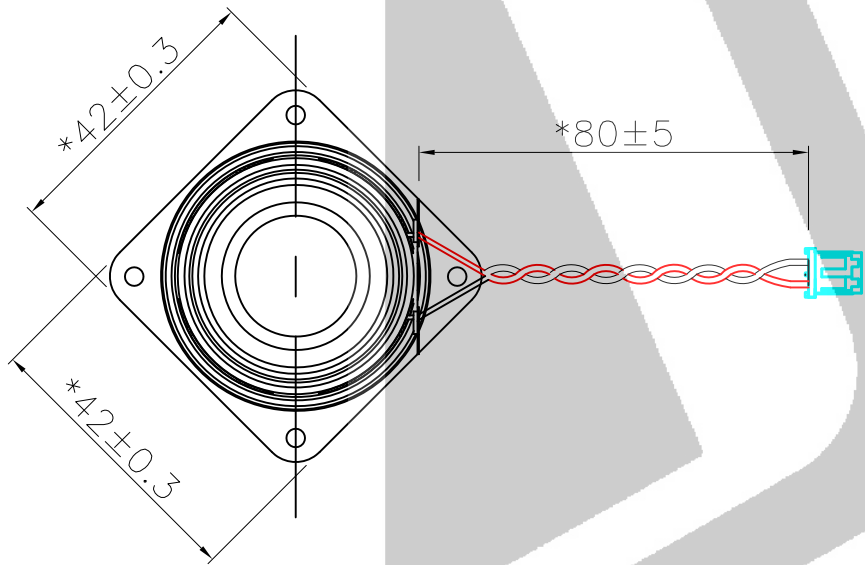
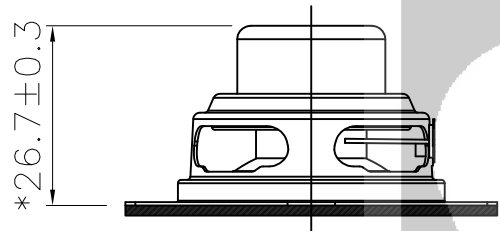
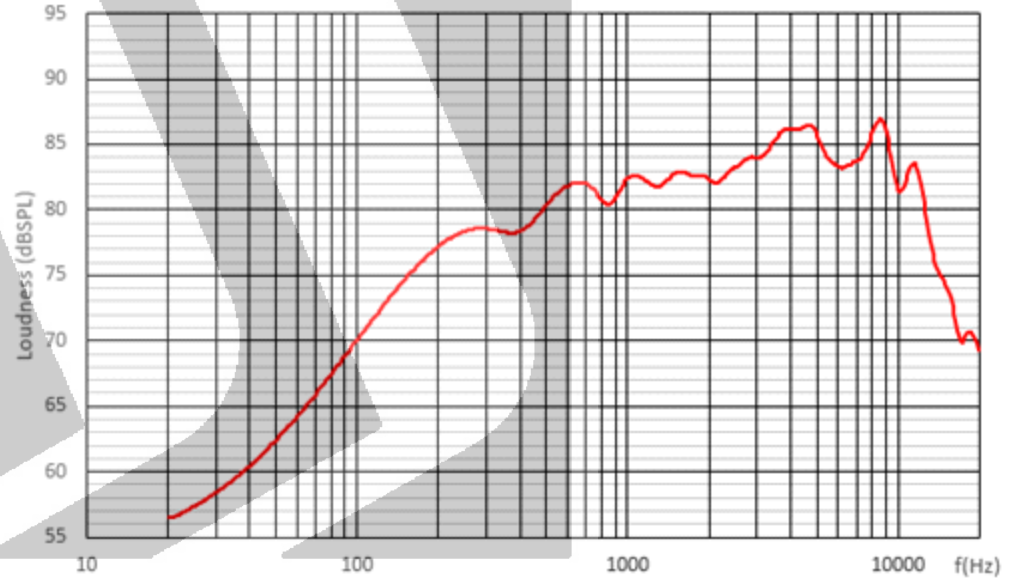


Parameter	Specification
Size	42mm x 42mm x 26.7mm (Lx W x H)
Impedance	$8\Omega \pm 15\%$
Input Power / Max Power	5 W / 6 W
Lowest Resonant Frequency, F_0	$160\text{Hz} \pm 20\%$
SPL	$81 \pm 3 \text{ dB (1.0 W / 1.0m)}$
Effective Frequency Range	F_0 to 10 kHz
Vas	0.06 L
Qts	0.55



Typical Frequency Response



STETRON

*Specifications subject to change.

Part No. D4242008NR10WER

Speaker size: 42 x 42 x 26.7mm

Web Site: www.stetron.com

