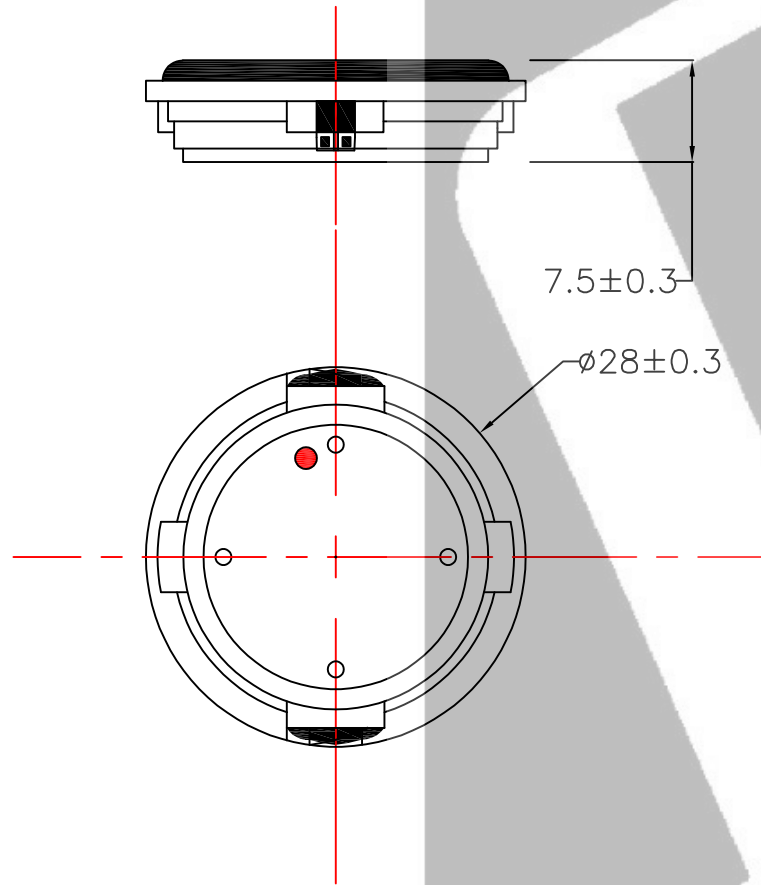
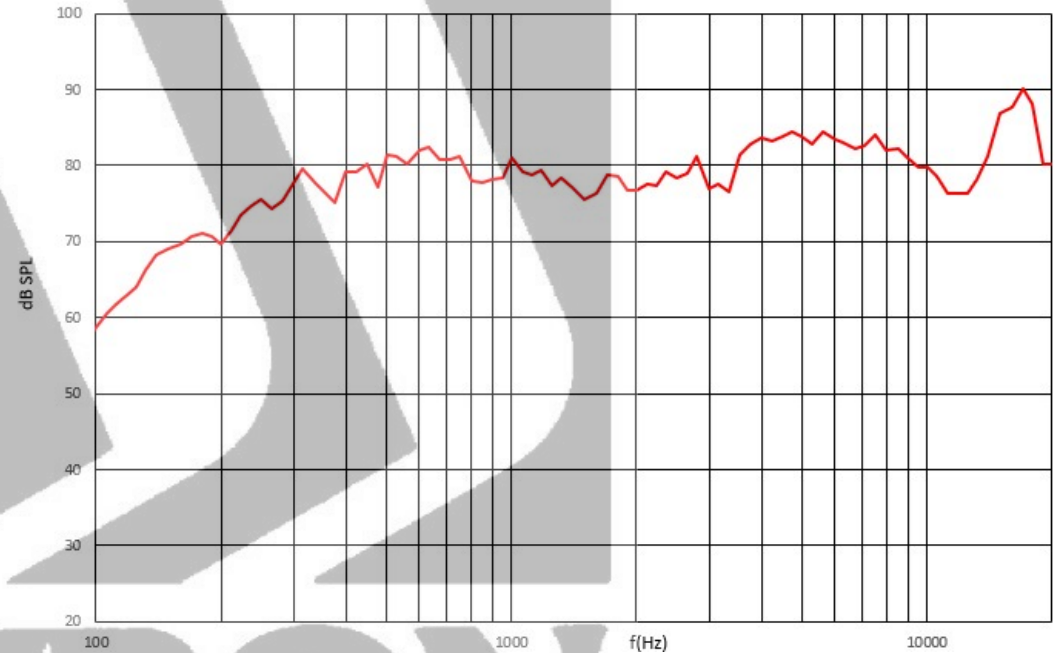


Parameter	Specification
Size	28mm x 7.5mm (Diameter x H)
Impedance	$4\Omega \pm 15\%$
Input Power / Max Power	3W / 4 W
Lowest Resonant Frequency, F_0	$350\text{Hz} \pm 20\%$
SPL	76.5 dB (3.0 W / 1.0m) 96.5 (3 W / 0.1m) Reference
Effective Frequency Range	F_0 to 20 kHz
V_{as}	0.01 L
Q_{ts}	1.98



Typical Frequency Response



*Specifications subject to change.

Part No. P0028004NP03CMR

Speaker size: 28 x 7.5mm

Web Site: www.stetron.com

