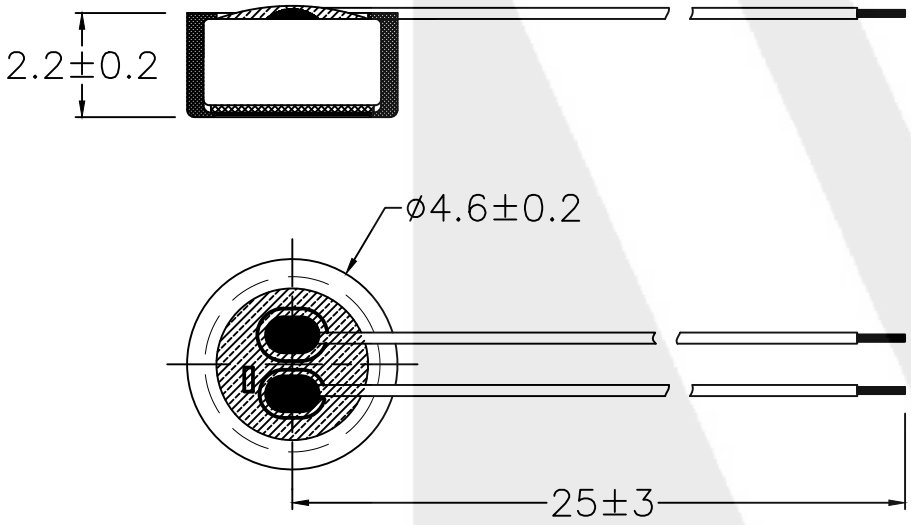
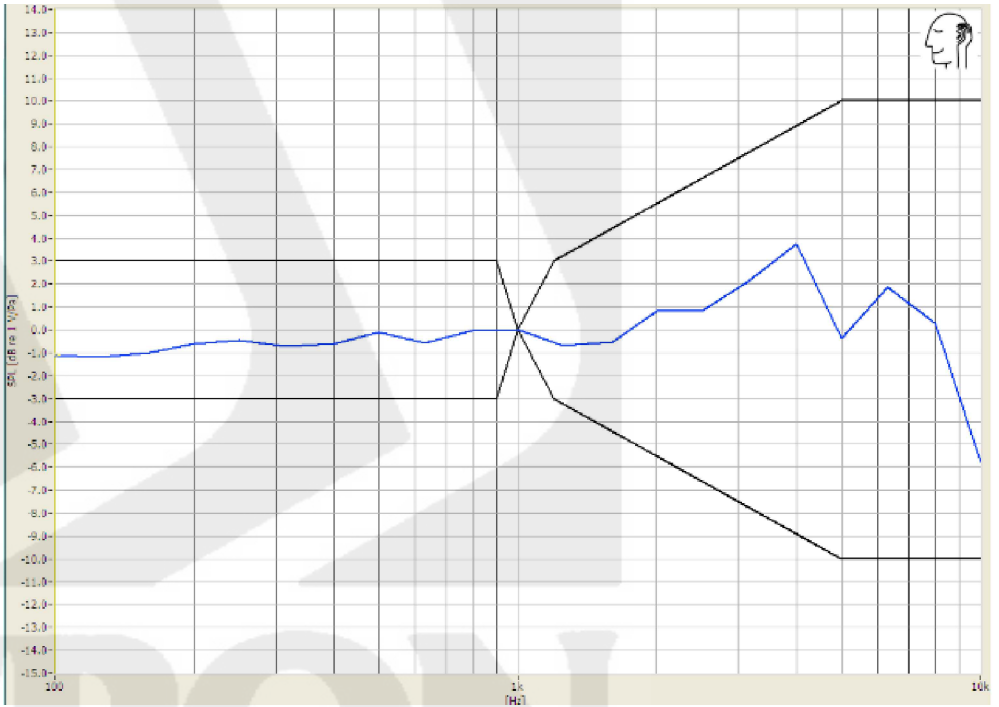


Parameter	Specification
Size	4 mm
Impedance	2.2 k Ω
S/N ratio (A Weighted)	Min 58dB
Sensitivity	-42 +/- 3 dB @1 kHz
Operating voltage	2.0 Vdc
Max Input SPL	115dB (THD \leq 3%)
Waterproof Rating	IPX8



Typical Frequency Response



*Specifications subject to change

Part No. EO041522242W0MGR

Microphone size: 4mm

Web Site: www.stetron.com

