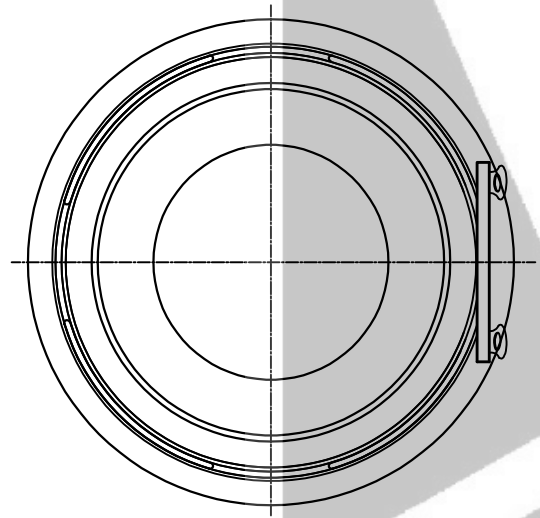
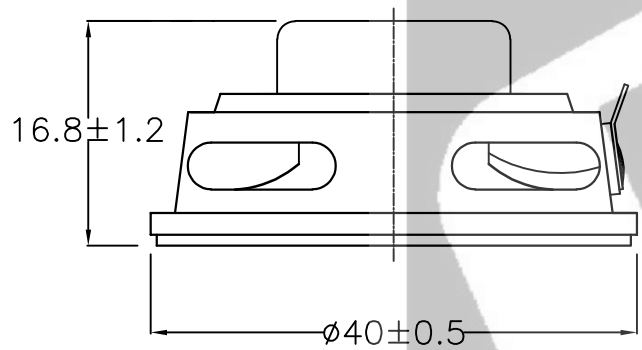
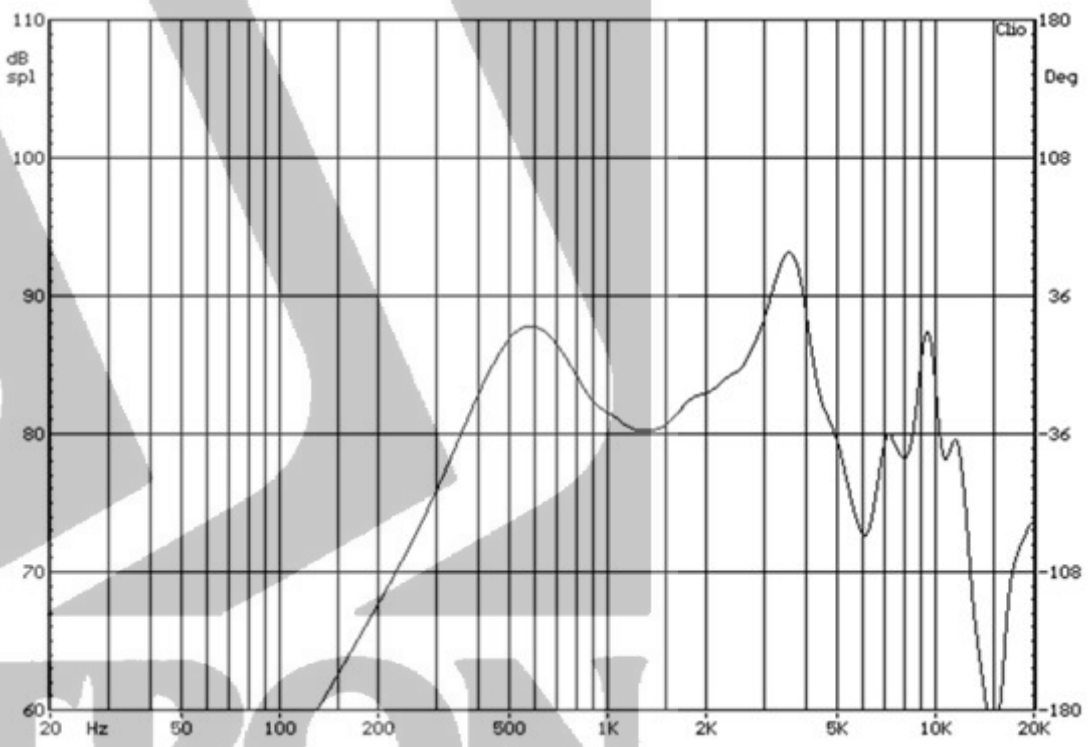


Parameter	Specification
Size	40mm x 16.8mm (Dia x H)
Impedance	4Ω ± 20%
Input Power	2.0W/2.5W
Lowest Resonant Frequency, F ₀	520Hz ± 20%
SPL	≥85.2 (1W/1m)
Effective Frequency Range	F ₀ to 4.0 kHz



Typical Frequency Response



*Specifications subject to change

Part No. D0040004NM140AR

Speaker size: 40mm

Web Site: www.stetron.com

