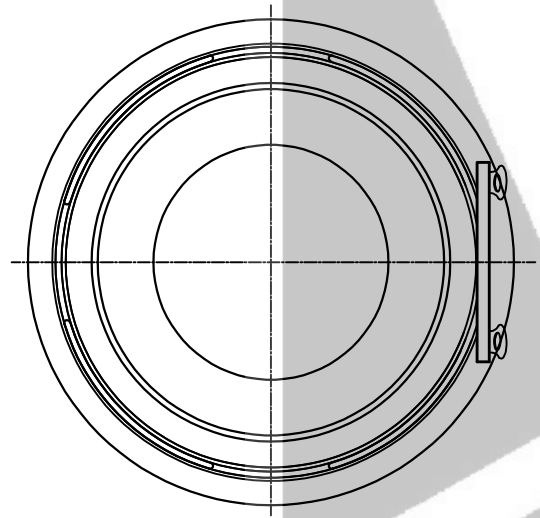
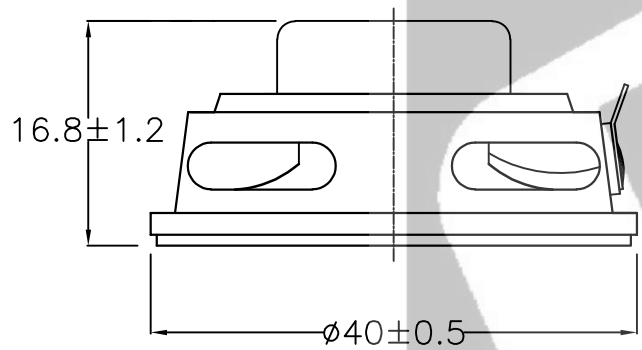
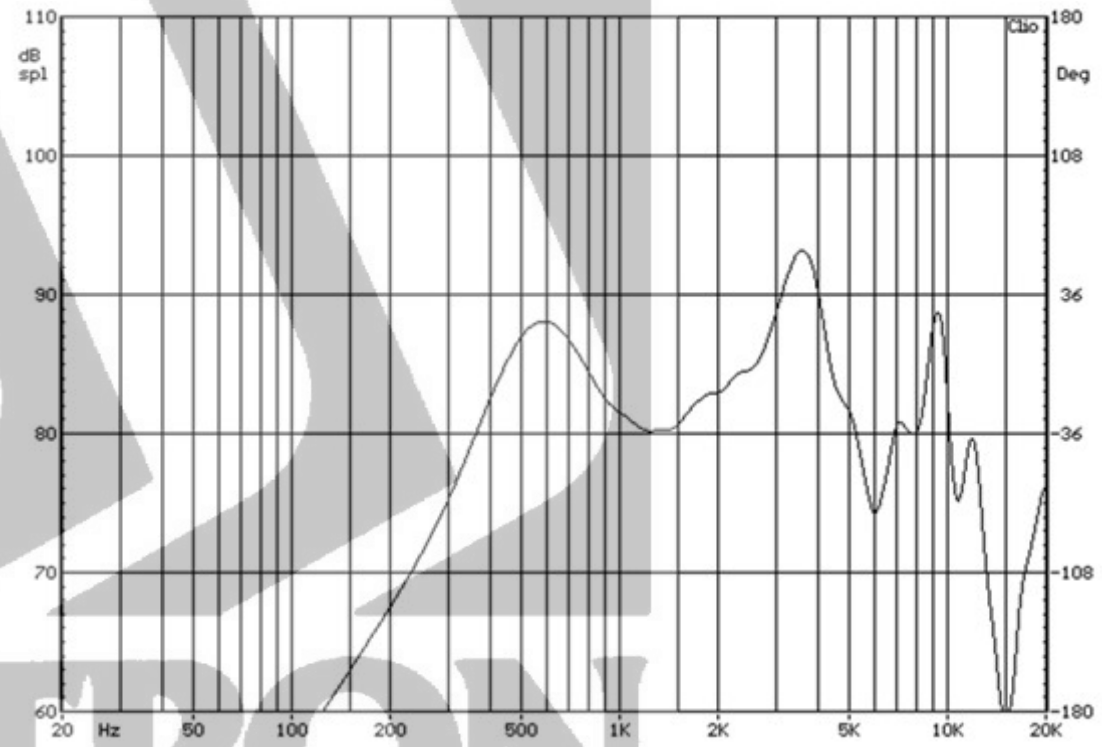


Parameter	Specification
Size	40mm x 16.8mm (Dia x H)
Impedance	$8\Omega \pm 20\%$
Input Power	2.0W/2.5W
Lowest Resonant Frequency, $F_0$	$520\text{Hz} \pm 20\%$
SPL	$\geq 85.2$ (1W/1m)
Effective Frequency Range	$F_0$ to 4.0 kHz



**Typical Frequency Response**



\*Specifications subject to change

**Part No. D0040008NM140AR**

**Speaker size: 40mm**

**Web Site: [www.stetron.com](http://www.stetron.com)**

