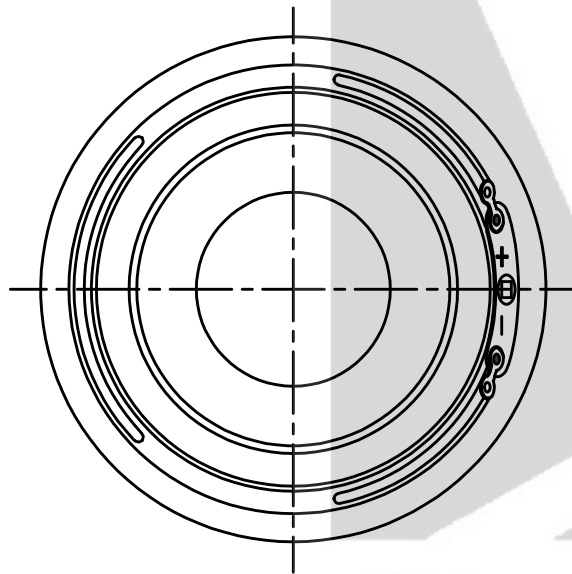
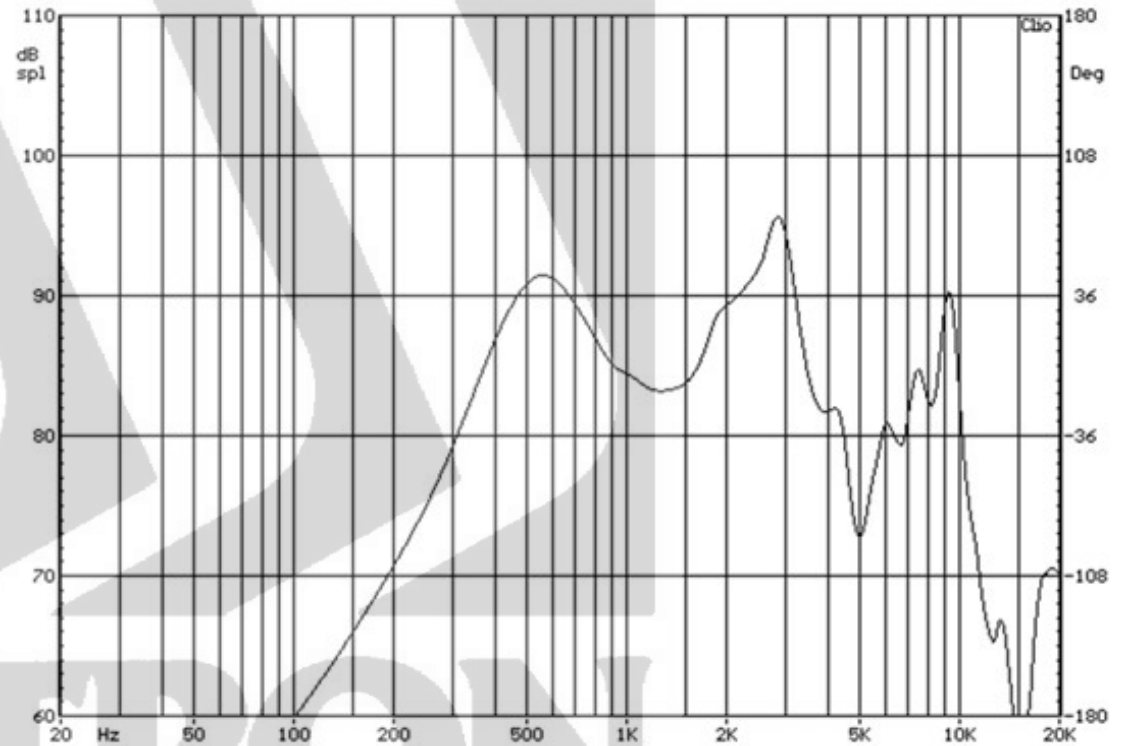


Parameter	Specification
Size	50mm x 18.8mm (Dia x H)
Impedance	$8\Omega \pm 20\%$
Input Power	2.0W/2.5W
Lowest Resonant Frequency, F_0	$520\text{Hz} \pm 20\%$
SPL	≥ 88 (1W/1m)
Effective Frequency Range	F_0 to 4.0 kHz



Typical Frequency Response



*Specifications subject to change

Part No. D0050008NM162AR

Speaker size: 50mm

Web Site: www.stetron.com

